

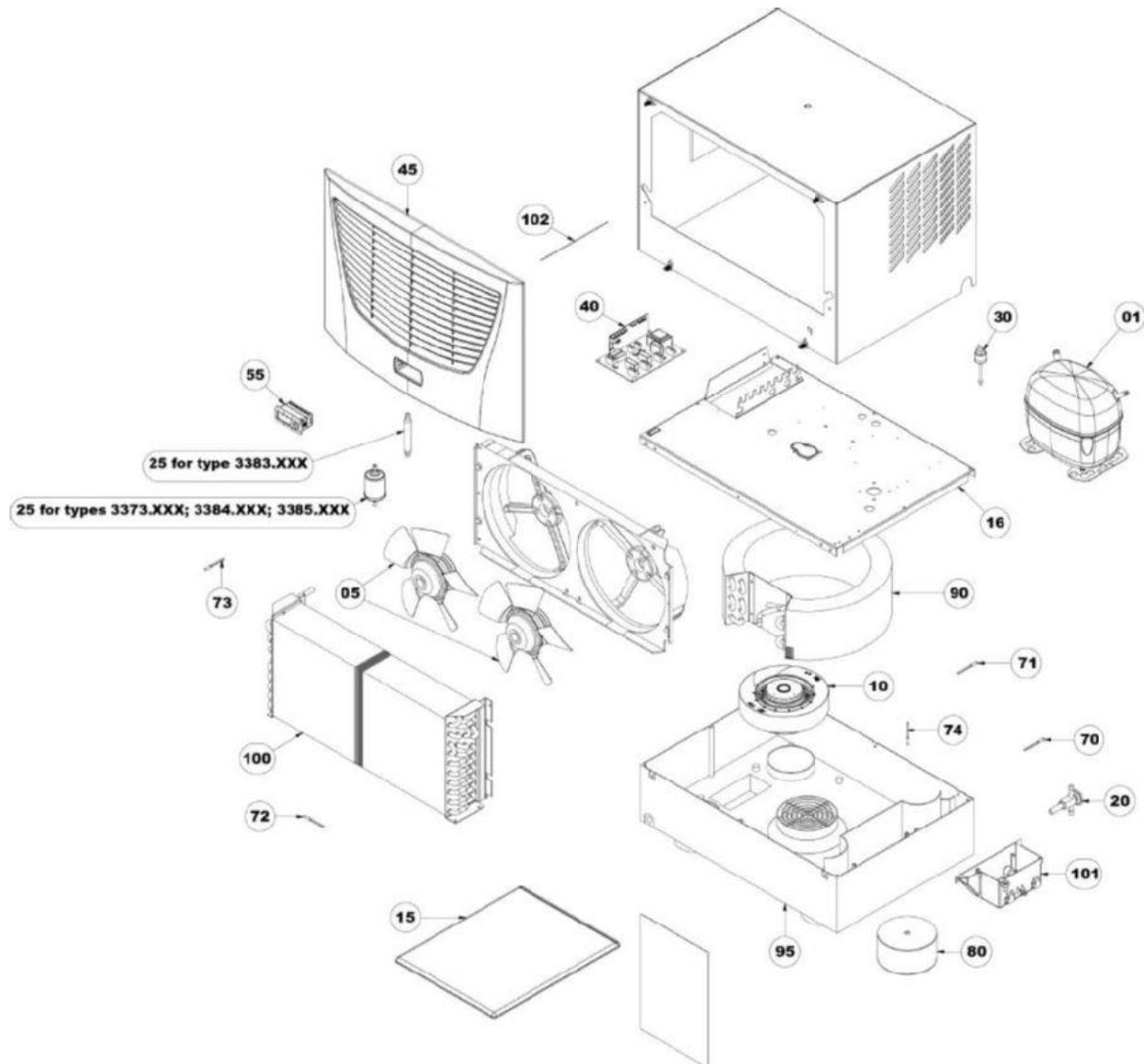
Rittal spare parts

SK RTT ROOF MOUNT COOLER 2000W

Model No. 3385.140

**Download**

(high definition)



<b>01</b>	SK Compressor	---- <a href="#">3397.155</a>
<b>02</b>	SK Starting device	---- <a href="#">3397.156</a>

05	SK Axial fan	<a href="#">3396.245</a>	----
10	SK Radial fan	<a href="#">3396.284</a>	----
15	SK Accessory bag	<a href="#">3396.677</a>	----
16	SK Sealing plate	<a href="#">3397.509</a>	----
20	SK Expansion valve	<a href="#">3397.049</a>	----
25	SK Filter dryer	<a href="#">3397.048</a>	----
30	SK Pressostat	<a href="#">3397.603</a>	----
40	SK Controller	<a href="#">3396.279</a>	----
45	SK Grille	<a href="#">3397.528</a>	----
55	SK Display	<a href="#">3396.282</a>	----
70	SK Temperature sensor, blue	<a href="#">3397.533</a>	----
71	SK Temperature sensor, red	<a href="#">3397.538</a>	----
75	SK Cover	<a href="#">3397.548</a>	----
80	SK Transformer	<a href="#">3397.836</a> <a href="#">3397.560</a>	01.12.2006 ----
90	SK Evaporator coil	<a href="#">3397.791</a>	----
95	SK Base	<a href="#">3397.808</a>	----
100	SK Condenser	<a href="#">3397.076</a>	----
101	SK Condensate evaporator	<a href="#">3397.717</a>	15.10.2009
102	SK Display cable	<a href="#">3397.868</a>	----

« **choose another product** »