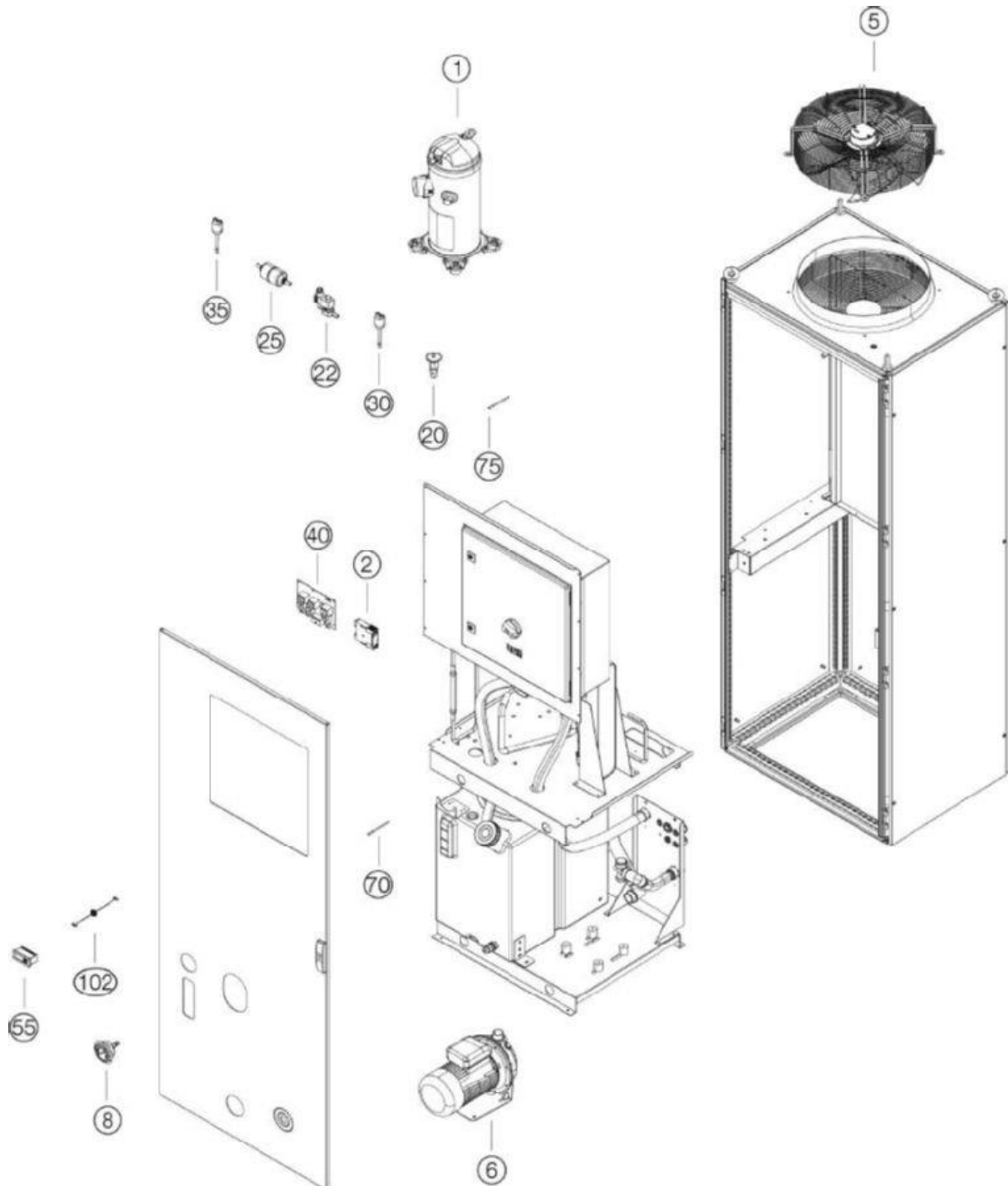


Rittal spare parts  
SK Chiller II in TS8-Enclosure  
Model No. 3335.840

[Download](#)  
(high definition)



<b>01</b>	SK Compressor	<a href="#">3398.038</a>	----
<b>02</b>	SK Phase relay	<a href="#">3397.961</a>	----
<b>05</b>	SK Axial fan	<a href="#">3398.133</a>	----
<b>06</b>	SK Pump	<a href="#">3398.096</a>	----
<b>08</b>	SK Manometer	<a href="#">3397.951</a>	----
<b>20</b>	SK Expansion valve	<a href="#">3398.117</a>	----
<b>22</b>	SK Valve	<a href="#">3398.154</a>	----
<b>25</b>	SK Filter dryer	<a href="#">3396.607</a>	----
<b>30</b>	SK Pressostat	<a href="#">3398.123</a>	----
<b>35</b>	SK Pressostat	<a href="#">3398.098</a>	----
<b>40</b>	SK Controller	<a href="#">3398.365</a>	----
<b>55</b>	SK Display	<a href="#">3398.099</a>	----
<b>70</b>	SK Temperature sensor	<a href="#">3398.268</a>	----
<b>75</b>	SK Temperature sensor	<a href="#">3398.268</a>	----
<b>102</b>	SK Display cable	<a href="#">3396.640</a>	----

« **choose another product** »