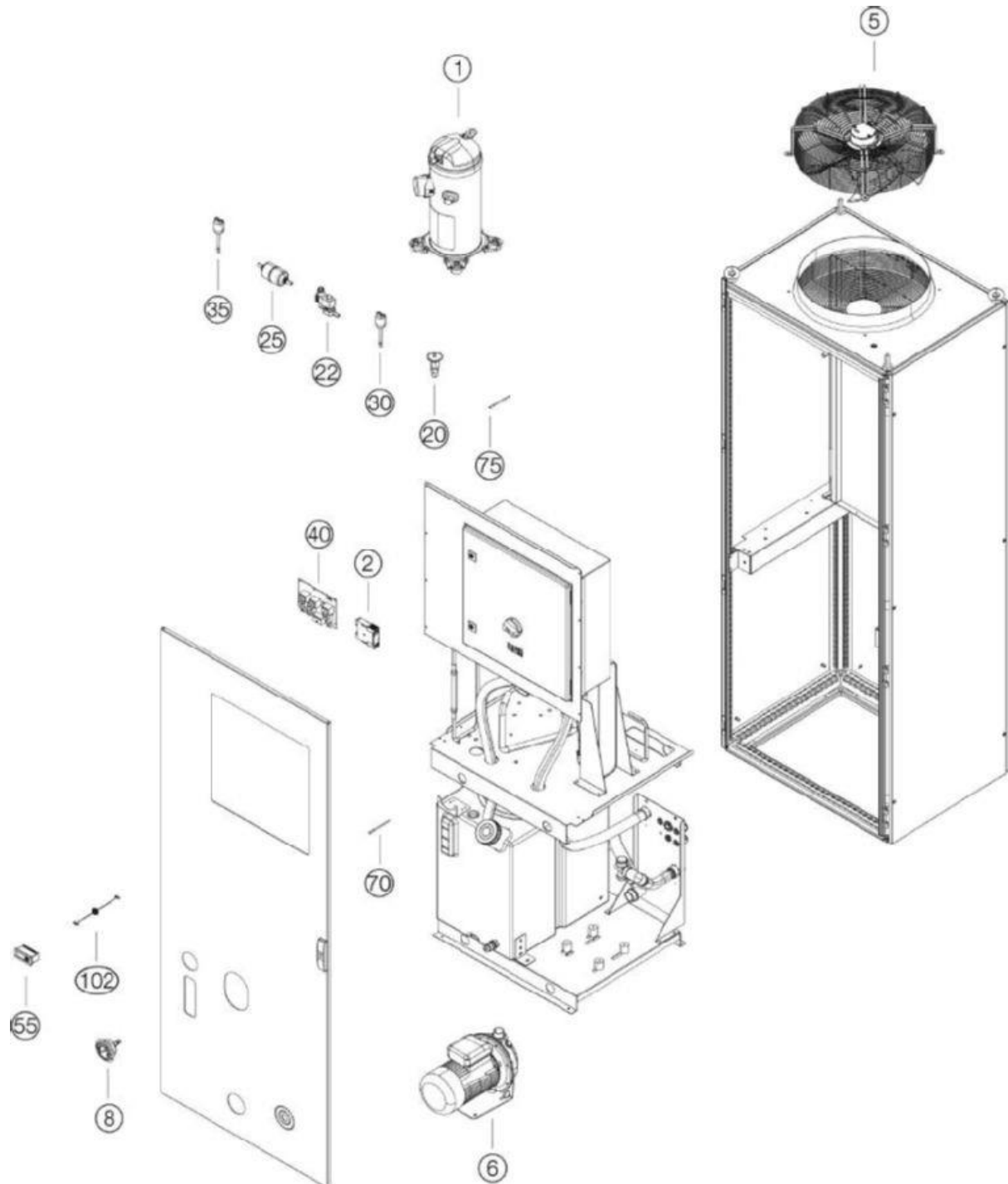


Rittal spare parts
SK Chiller II in TS8-Enclosure
Model No. 3335.830

[Download](#)
(high definition)



01	SK Compressor	3398.125	----
02	SK Phase relay	3397.961	----
05	SK Axial fan	3398.363	----
06	SK Pump	3398.214	----
08	SK Manometer	3397.951	----
20	SK Expansion valve	3398.041	----
22	SK Valve	3398.154	----
25	SK Filter dryer	3396.607	----
30	SK Pressostat	3398.123	----
35	SK Pressostat	3398.098	----
40	SK Controller	3398.365	----
55	SK Display	3398.099	----
70	SK Temperature sensor	3398.268	----
75	SK Temperature sensor	3398.268	----
102	SK Display cable	3396.640	----

« **choose another product** »