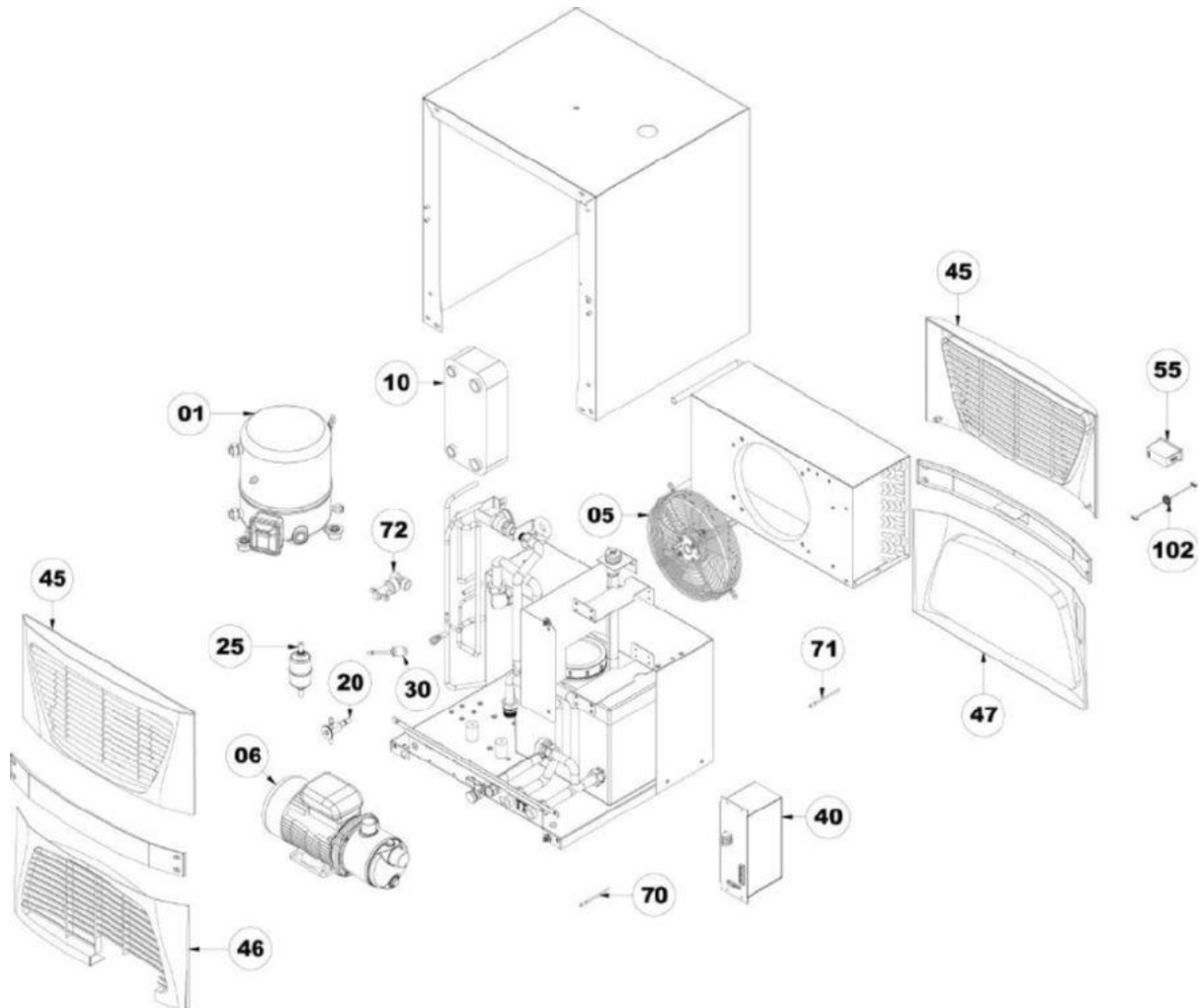


Rittal spare parts  
**SK MINI RECOOLING SYSTEM**  
 Model No. 3320.600

**Download**  
 (high definition)



<b>01</b>	SK Compressor	01.05.2010 <a href="#">3396.445</a>
<b>05</b>	SK Axial fan	01.05.2010 <a href="#">3396.394</a>
<b>06</b>	SK Pump	01.07.2014 <a href="#">3398.214</a>
<b>20</b>	SK Expansion valve	01.05.2010 <a href="#">3397.072</a>

<b>25</b>	SK Filter dryer	<a href="#">3396.607</a>	01.05.2010
<b>30</b>	SK Pressostat	<a href="#">3396.498</a>	01.05.2010
<b>40</b>	SK Controller	<a href="#">3396.627</a>	01.05.2010
<b>45</b>	SK Grille	<a href="#">3396.510</a>	01.05.2010
<b>46</b>	SK Grille	<a href="#">3396.075</a>	01.05.2010
<b>55</b>	SK Display	<a href="#">3396.639</a>	01.05.2010
<b>70</b>	SK Medium sensor	<a href="#">3396.336</a>	01.05.2010
<b>71</b>	SK Temperature sensor, yellow	<a href="#">3397.542</a>	01.05.2010
<b>72</b>	SK Flow meter	<a href="#">3397.341</a>	01.05.2010
<b>102</b>	SK Display cable	<a href="#">3396.640</a>	01.05.2010

« **choose another product** »