

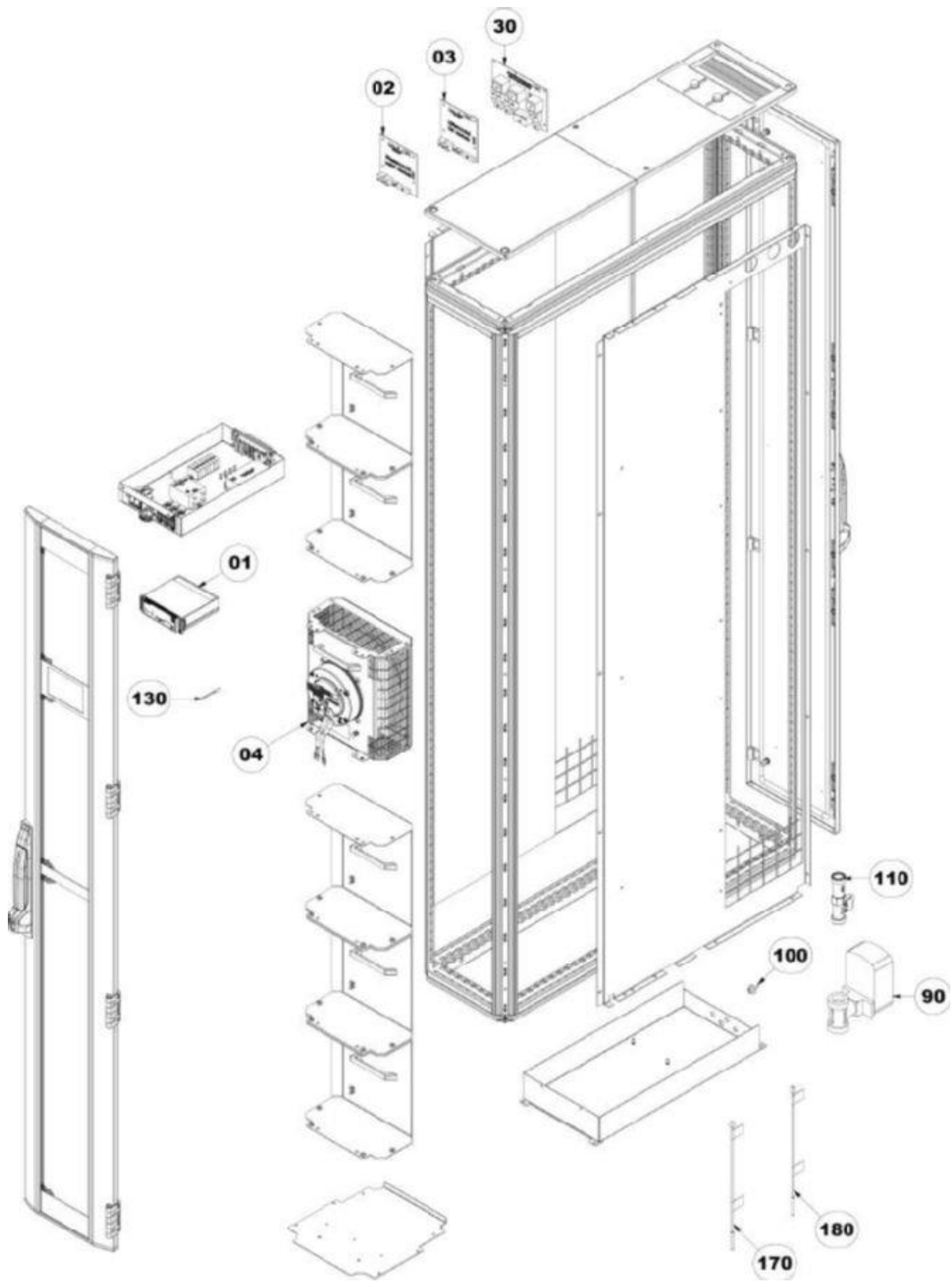
Rittal spare parts

LCP Inline CW, 30kW, 300x2000x1200

Model No. 3311.530

Download

(high definition)



01	SK Control module	01.05.2013 3398.195 3396.683	----
02	SK Water control module	01.05.2013 3398.196 3396.684	----
03	SK Control module fan	01.05.2013 3398.197 3396.685	----
04	Fan module for LCP 3311. 1xx/2xx/3xx	01.05.2013 3311.011 3311.010 3396.687	---- ----
10	SK Power supply	3396.731	----
30	SK Starting-current limiting device	3398.199	----
90	SK Control ball valve	3396.689	----
100	SK Leak sensor	3396.688	----
110	SK Flow meter	3396.690	----
120	SK Sensor for flowmeter	3396.729	----
130	SK Temperature sensor	3396.692	----
170	SK Temperature sensor	3396.693	----
180	SK Temperature sensor	3396.694	----

« **choose another product** »