

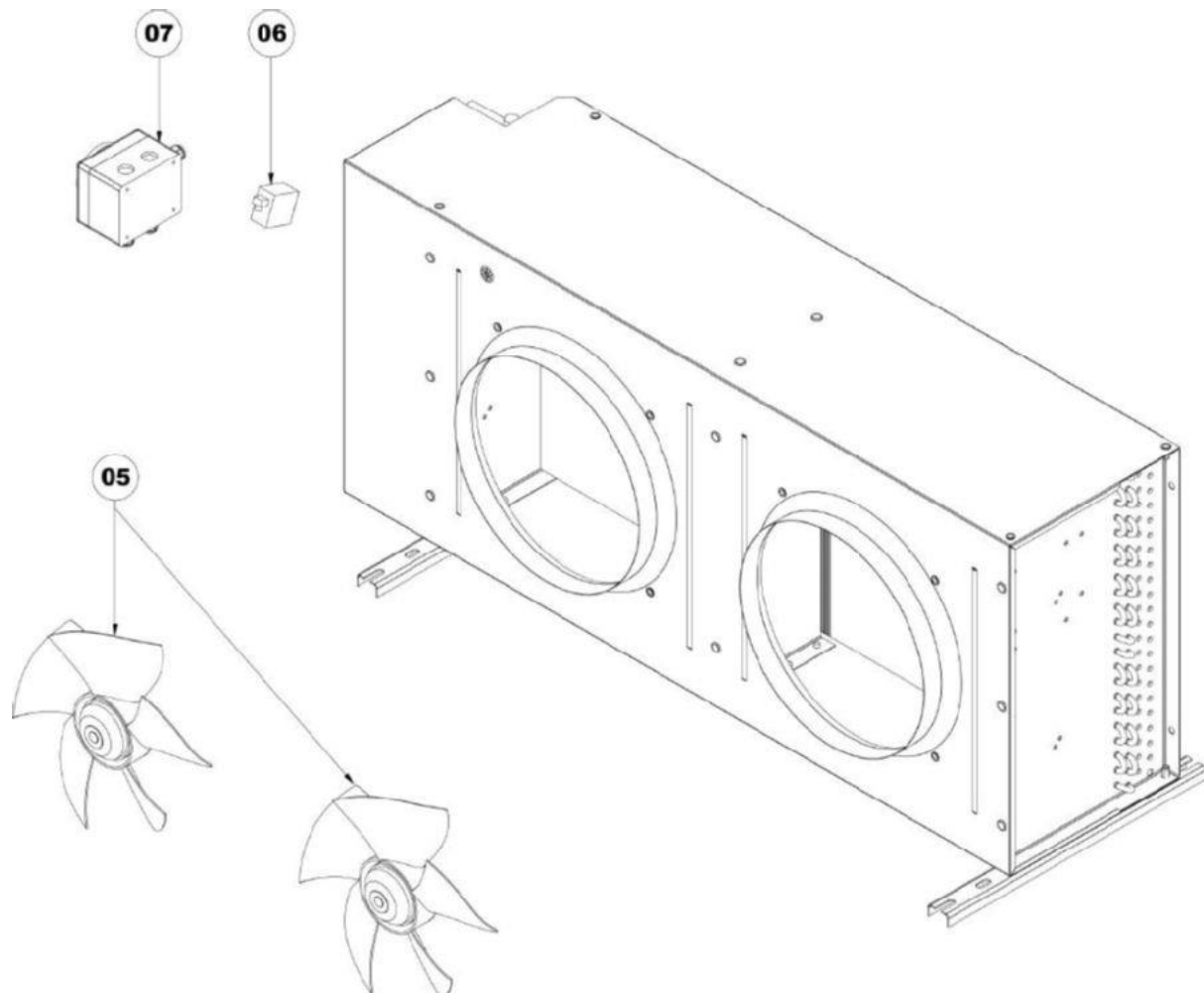
Rittal spare parts

Condenser, 12kW, LCP DX

Model No. 3311.360

**Download**

(high definition)



<b>05</b>	SK Axial fan	---- <a href="#">3398.193</a>
<b>06</b>	SK Speed control	---- <a href="#">3398.194</a>
<b>07</b>	SK Maintenance switch	---- <a href="#">3398.192</a>

« **choose another product**

