

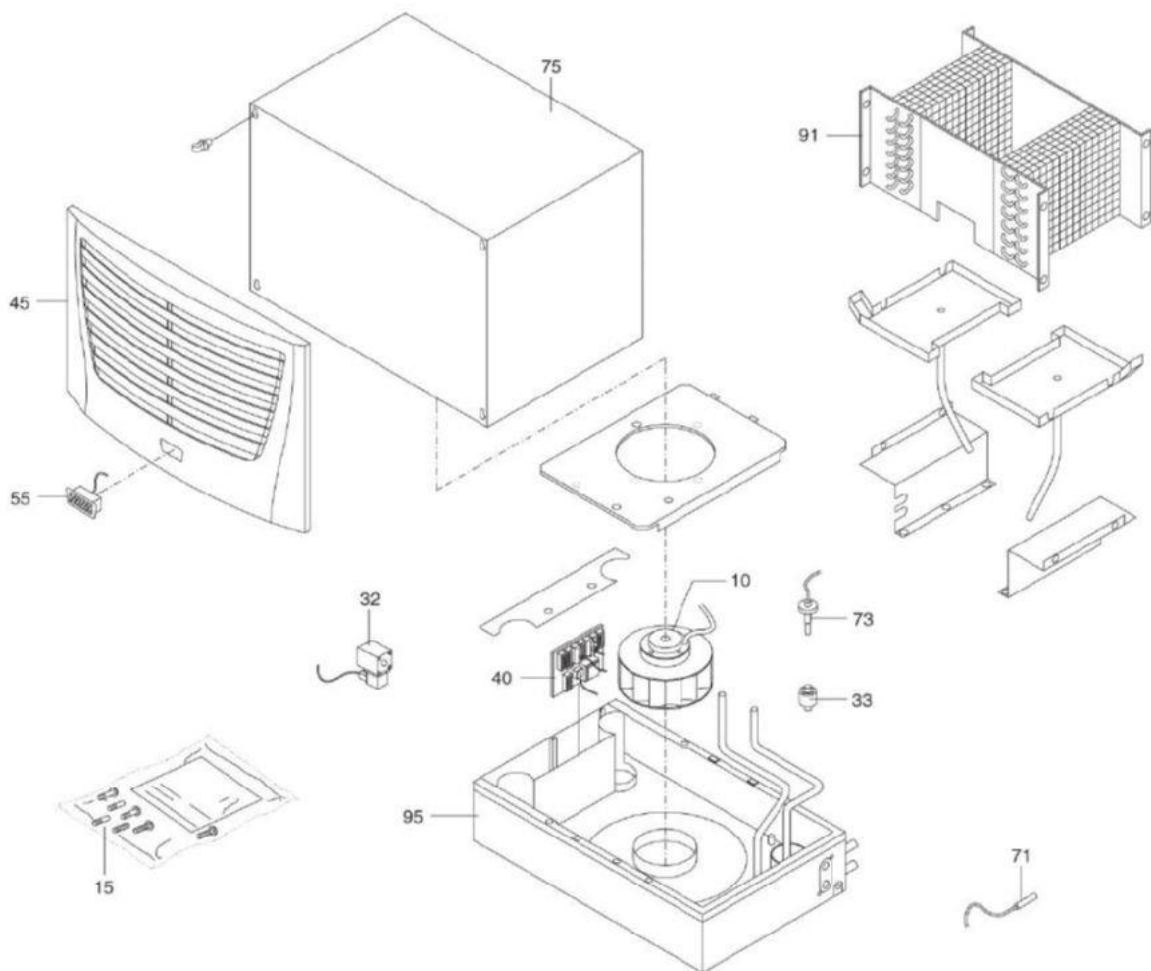
Rittal spare parts

SK RTT a/w heat exch. r-mounted 3000 W

Model No. 3210.100

**Download**

(high definition)



<b>10</b>	SK Diagonal fan	<a href="#">3396.560</a>	----
<b>15</b>	SK Accessory bag	<a href="#">3396.696</a>	----
<b>32</b>	SK Valve	<a href="#">3396.695</a>	----
<b>33</b>	SK Non-return valve	<a href="#">3397.081</a>	----

<b>40</b>	SK Controller board	01.07.2012 <a href="#">3396.712</a> <a href="#">3396.556</a>	----
<b>45</b>	SK Grille	<a href="#">3397.528</a>	----
<b>55</b>	SK Display	01.07.2012 <a href="#">3396.697</a> <a href="#">3396.282</a>	----
<b>71</b>	SK Temperature sensor, red	<a href="#">3397.538</a>	----
<b>73</b>	SK Float-actuated switch	01.07.2012 <a href="#">3396.699</a> <a href="#">3396.558</a>	----
<b>75</b>	SK Cover	<a href="#">3397.811</a>	----
<b>91</b>	SK Heat exchangers	<a href="#">3397.831</a>	----
<b>95</b>	SK Base	<a href="#">3397.806</a>	----
<b>102</b>	SK Display cable	<a href="#">3397.868</a>	----

« **choose another product** »