

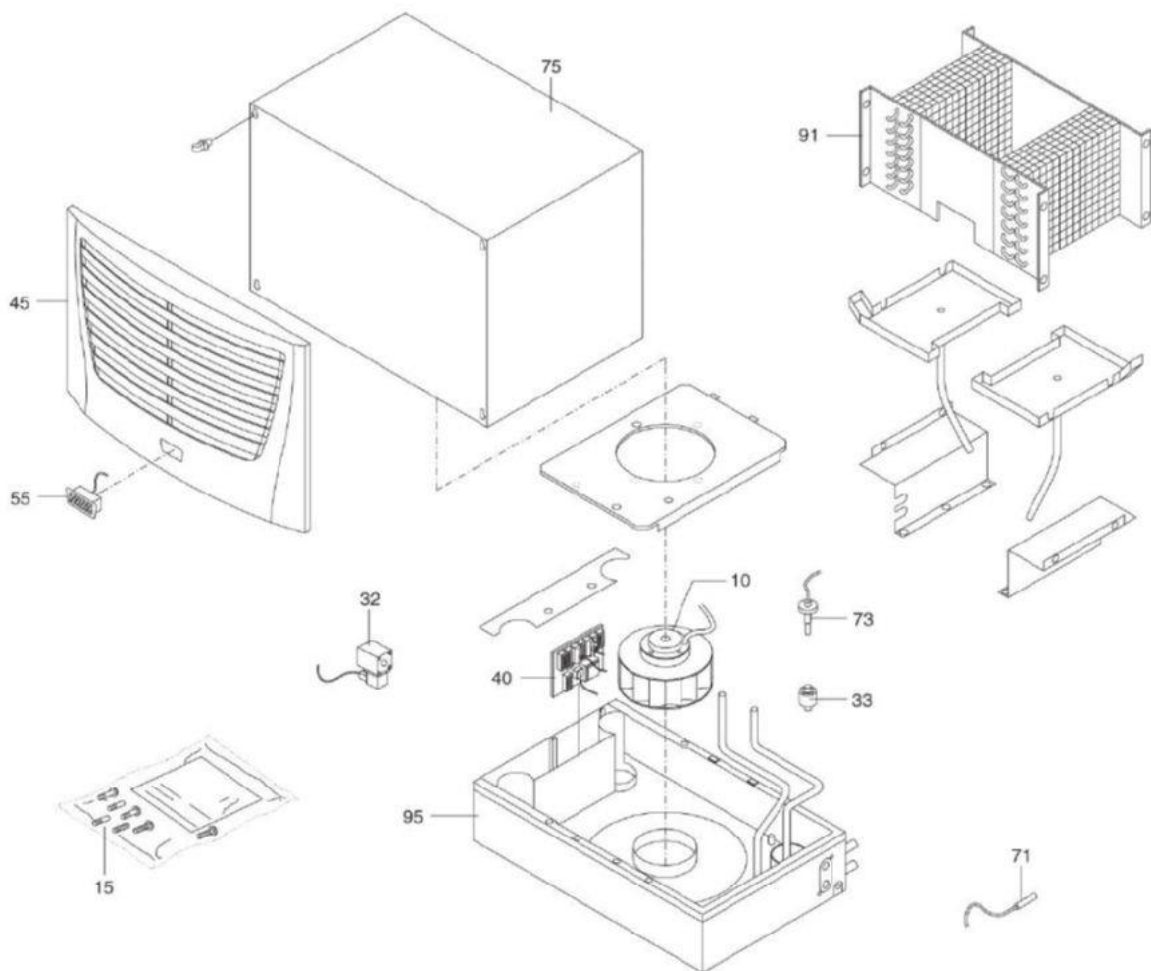
Rittal spare parts

SK RTT a/w heat exch. r-mounted 2500 W

Model No. 3209.500

**Download**

(high definition)



<b>10</b>	SK Axial fan	----	<a href="#">3396.554</a>
<b>15</b>	SK Accessory bag	----	<a href="#">3396.696</a>
<b>32</b>	SK Valve	----	<a href="#">3396.695</a>
<b>33</b>	SK Non-return valve	----	<a href="#">3397.081</a>
<b>40</b>	SK Controller board	01.07.2012	<a href="#">3396.714</a>
		----	<a href="#">3396.557</a>
<b>45</b>	SK Grille	----	<a href="#">3397.528</a>
<b>55</b>	SK Display	01.07.2012	<a href="#">3396.667</a>
		----	<a href="#">3396.281</a>

<b>71</b>	SK Temperature sensor, red	----	<a href="#"><u>3397.538</u></a>
<b>73</b>	SK Float-actuated switch	----	<a href="#"><u>3396.558</u></a>
<b>75</b>	SK Cover	----	<a href="#"><u>3397.811</u></a>
<b>91</b>	SK Heat exchangers	----	<a href="#"><u>3397.830</u></a>
<b>95</b>	SK Base	----	<a href="#"><u>3397.806</u></a>
<b>102</b>	SK Display cable	----	<a href="#"><u>3397.871</u></a>

« **choose another product**